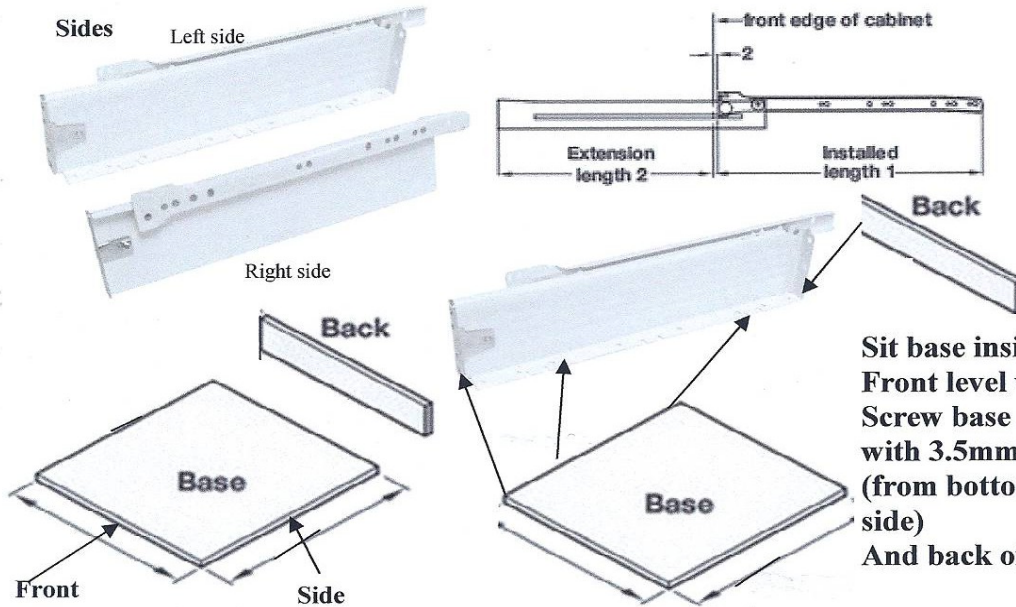


# STANDARD DRAWERS

## To assemble your std drawer box



Sit base inside on the bottom  
 Front level with front of side  
 Screw base and back  
 with 3.5mm x 17mm  
 (from bottom up for base under  
 side)  
 And back of back from out side

Drilling Dimensions (Typical sizes)  
 For standard

460 MIN Cabinet Depth 2mm in from front					
MM	A	B	C	D	E
650	x		x	x	x
540		x			
520					x
455			x	x	
370					x
270		x		x	
230					x
170			x		
87				x	x

All dimensions measure from inside upwards

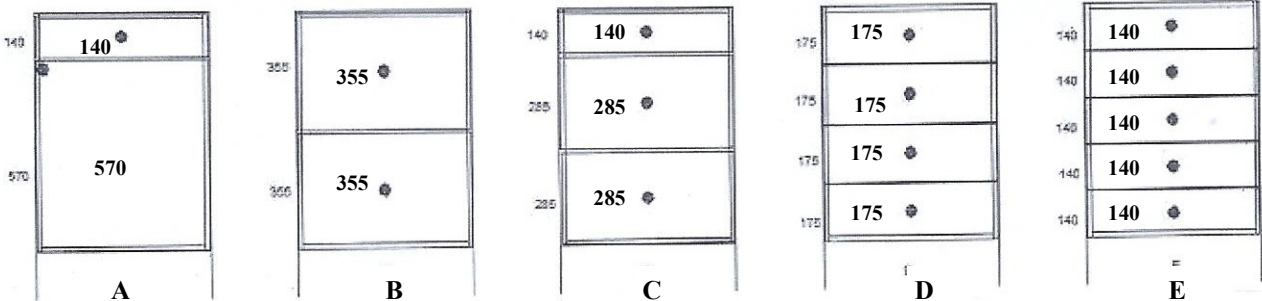
## FOR STANDARD DRAWERS

Drilling Dimensions  
 (For Typical DR front sizes)

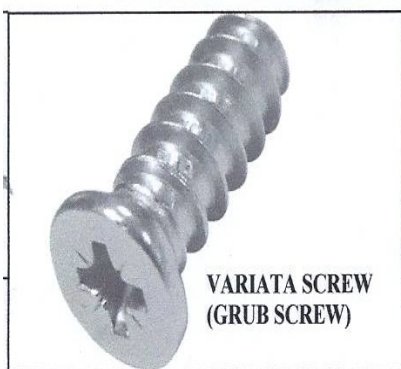
STRIKE LINE AT THESE HEIGHTS FROM  
 FRONT TO BACK

PLACE DR RUNNER 2mm FROM FRONT.  
 ROW OF HOLES LINE UP WITH STRIKE LINE SO  
 LINE IS RUNNING THROUGH CENTRE OF HOLES  
 THEN SCREW TO FIX IN PLACE. AT THE FRONT OF  
 THE DR RUNNER YOU HAVE 2 X HOLES 1 X ROUND  
 & 1 X LONG PLEASE PUT 1 X SCREW IN FRONT TOP  
 ROUND HOLE

AT FRONT OF BOX YOU HAVE A DR FACE FIXING  
 PLATE WITH 2 HOLES IN EACH ONE SIDE OF DR  
 BOX & FIT 1X 2 SIDE PAD TO FRONT OF PLATE ON  
 EACH. PRESS YOUR DR FRONT ON PADS LINE UP  
 DR FRONT. SCREW YOUR FACE TO BRACKETS..  
 YOU HAVE ADJUSTERS AT SIDE OF BOX  
 (WE SUPPLY 2 X 3mm PACKERS FOR IF YOU HAVE  
 15mm CARCASE) IF YOU USE GRUB SCREWS DRILL  
 5mm HOLE FOR RUNNERS



## YOUR STD DRAWER SIDE RAIL FIXINGS



1 PER ORDER

YOU CAN FIT YOUR  
 DRAWER RUNNER  
 TO THE SIDE OF YOUR UNIT  
 WITH THE SCREWS OR  
 WITH THE GRUB SCREWS  
 IF GRUB SCREWS  
 YOU WILL NEED  
 TO DRILL 5MM HOLES)  
 DO NOT DRILL IF YOU FIT WITH SCREW